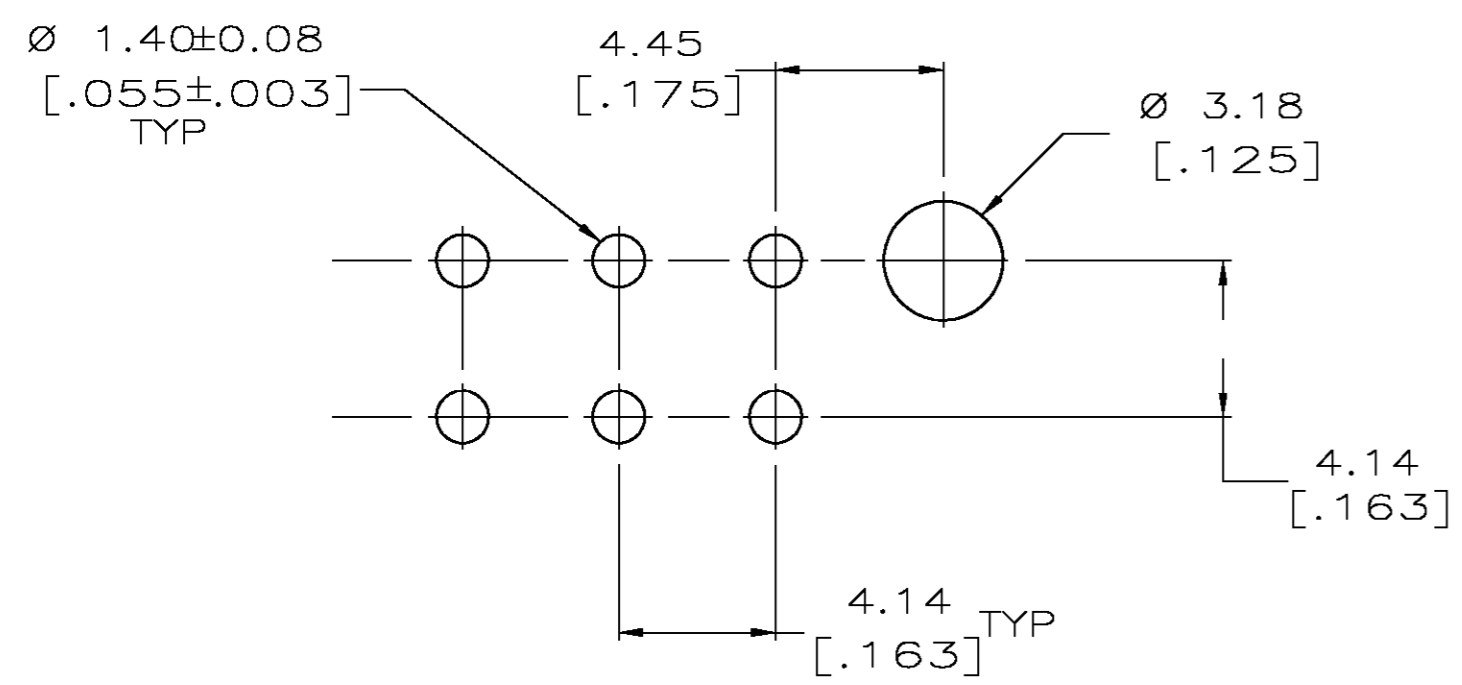
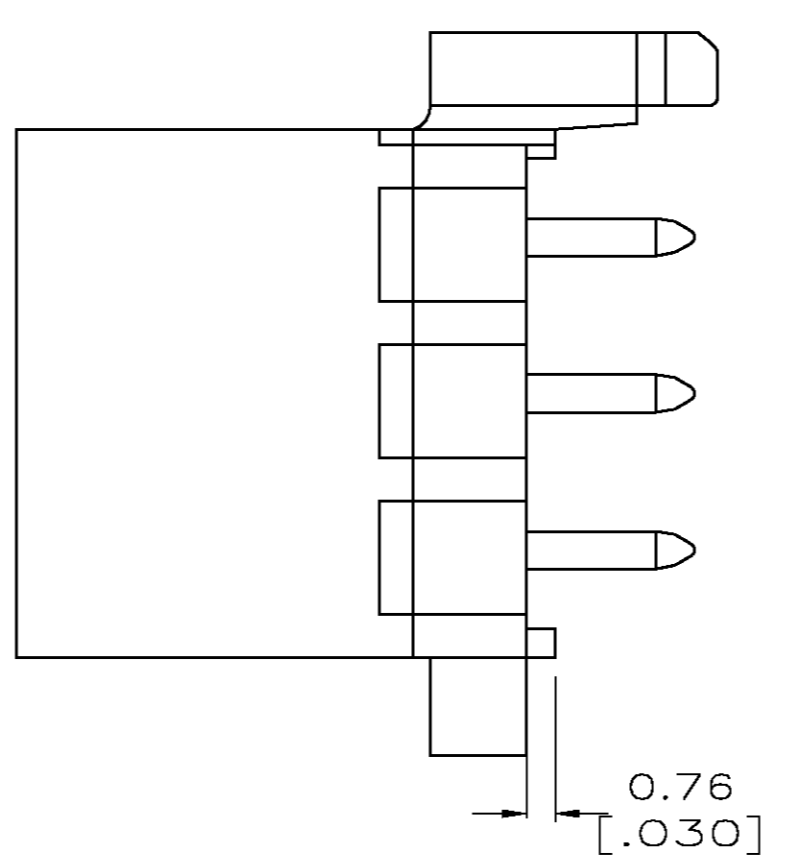
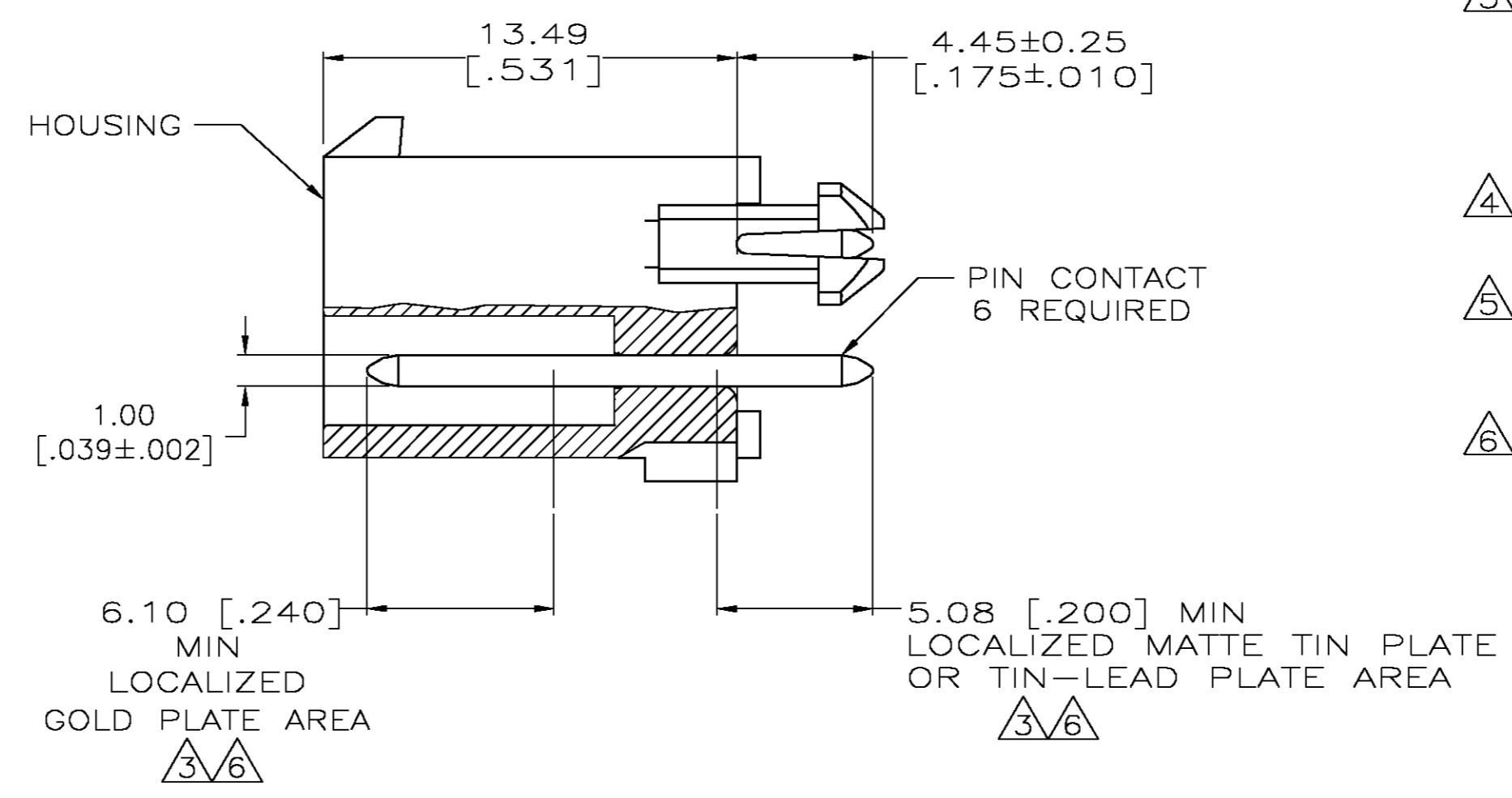
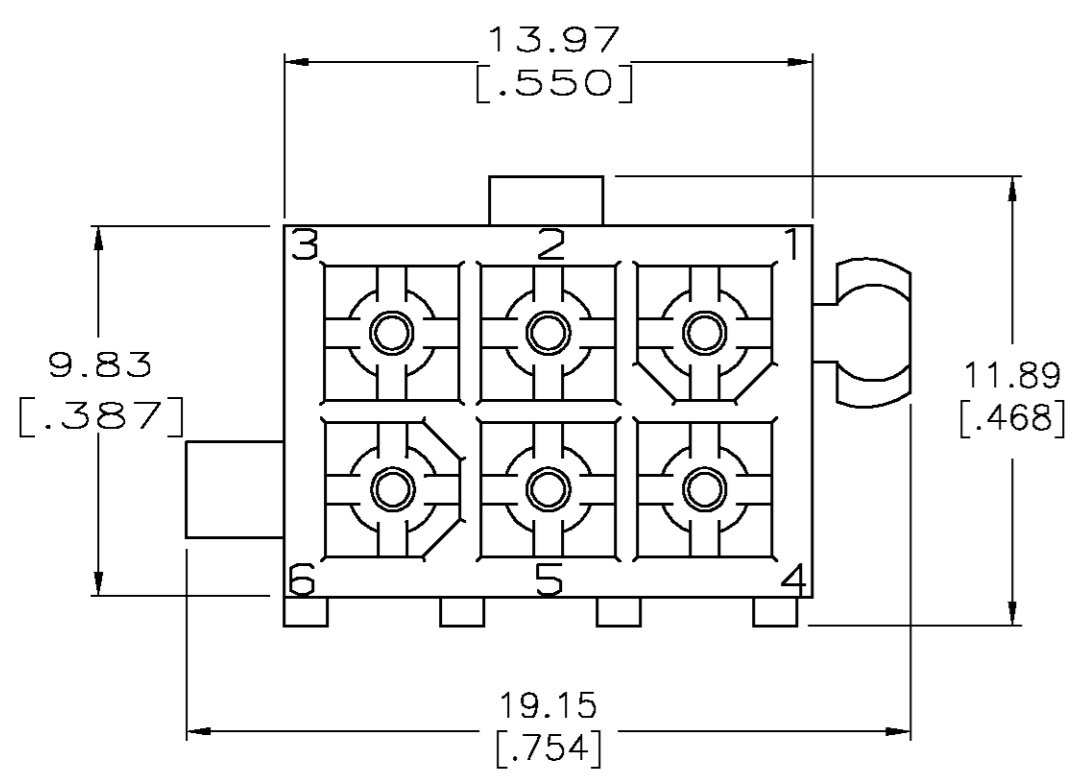


THIS DRAWING IS UNPUBLISHED. RELEASED FOR PUBLICATION
 © COPYRIGHT BY TYCO ELECTRONICS CORPORATION. ALL RIGHTS RESERVED.

LOC		DIST		REVISIONS			
P	LTR	DESCRIPTION		DATE	DWN	APVD	
CM	0	F		REVISED PER 0G3B-0211-05	6/9/05	SS RJ	

- PINS TO COMPLY WITH AMP SOLDERABILITY SPEC. 109-11-3.
- DIMENSIONS SHOWN IN BRACKETS ARE IN INCHES.
- 0.00076 [.000030] MIN GOLD PLATE IN THE LOCALIZED GOLD PLATE AREA, 0.00381 [.000150] MATTE TIN LEAD IN THE LOCALIZED TIN LEAD PLATE AREA, BOTH OVER 0.00127 [.000050] MIN NICKEL.
- 0.00381 [.000150] MATTE TIN LEAD OVER LENGTH OF PIN.
- 0.00381 [.000150] MATTE TIN OVER 0.00127 [.000050] MIN NICKEL ENTIRE LENGTH OF PIN.
- 0.00076 [.000030] MIN GOLD PLATE IN THE LOCALIZED GOLD PLATE AREA, 0.00381 [.000150] MATTE TIN IN THE LOCALIZED TIN PLATE AREA, BOTH OVER 0.00127 [.000050] MIN NICKEL.



RECOMMENDED LAYOUT FOR 1.57 [.062] THICK BOARD
 TOLERANCES NON-ACCUMULATIVE

MATERIAL	FINISH	MATERIAL	COLOR	PART NO.
BRASS	△6	NYLON, UL94V-0	WHITE	1-770875-1
BRASS	△5	NYLON, UL94V-0	WHITE	1-770875-0
BRASS	△3	NYLON, UL94V-0	WHITE	770875-2
BRASS	△4	NYLON, UL94V-0	WHITE	770875-1

THIS DRAWING IS A CONTROLLED DOCUMENT.

DIMENSIONS: mm	TOLERANCES UNLESS OTHERWISE SPECIFIED:	DWN S CARPENTER 08JUN05	CHK R JONES 29JUL2003	APVD R JONES 29JUL2003	NAME
0 PLC ± -	1 PLC ± -	2 PLC ± 0.13	3 PLC ± -	4 PLC ± -	ANGLES ± -
MATERIAL	FINISH	WEIGHT	SCALE	SHEET	OF
-	-	-	5:1	1	1

Tyco Electronics Corporation
 Harrisburg, Pa 17105-3608
 HEADER ASSEMBLY
 CLOSED BOTTOM, 6 CKT.
 MINI UNIVERSAL MATE-N-LOK
 SIZE A2 CAGE CODE 00779 C=770875 DRAWING NO. RESTRICTED TO
 CUSTOMER DRAWING SCALE 5:1 SHEET 1 OF 1 REV F